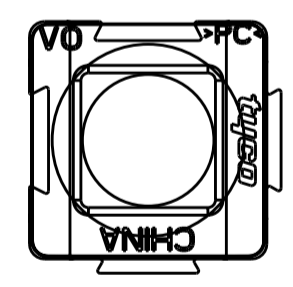
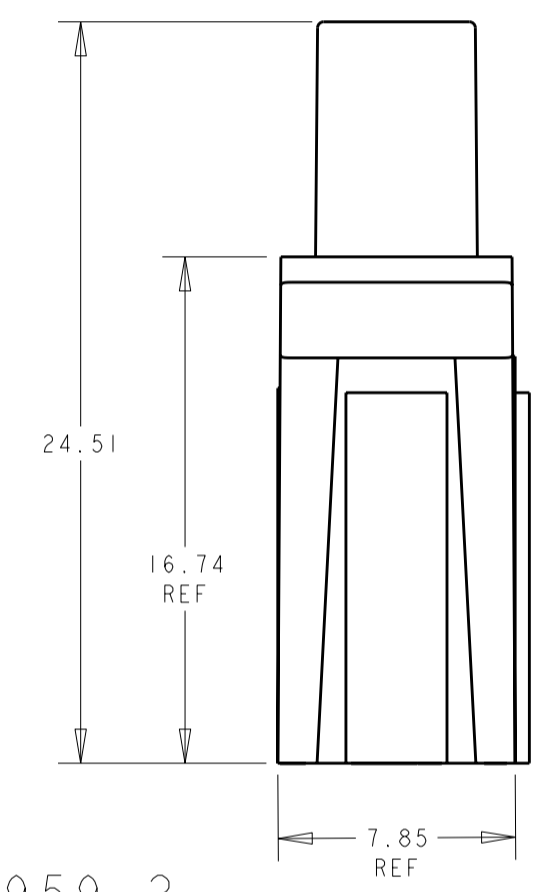
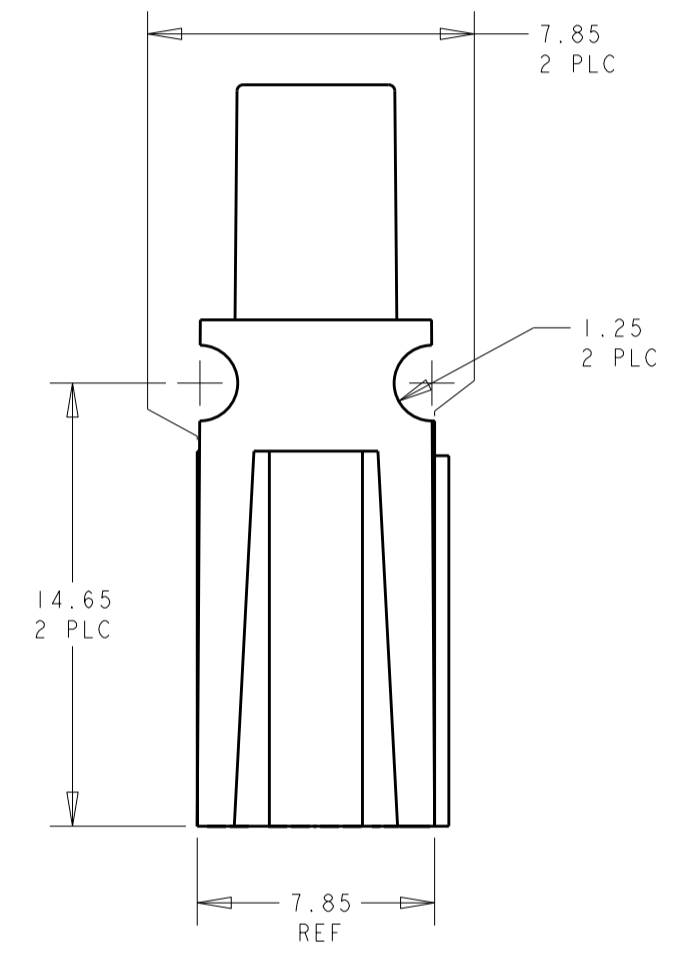
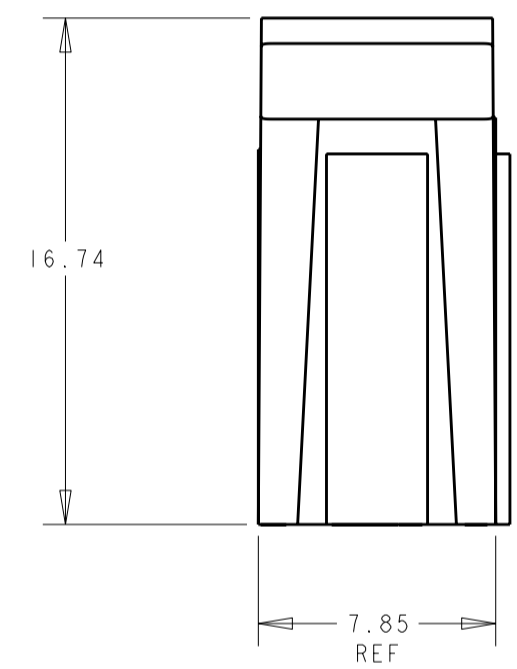
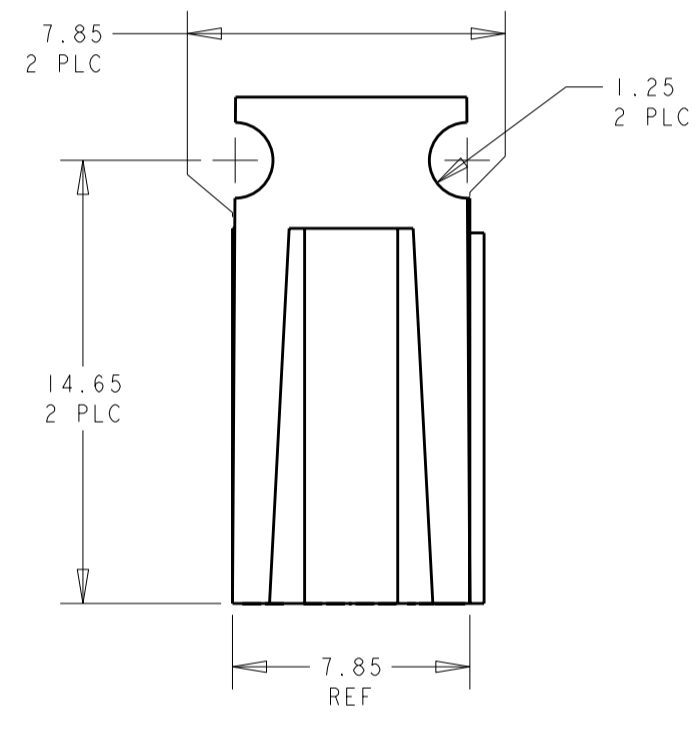
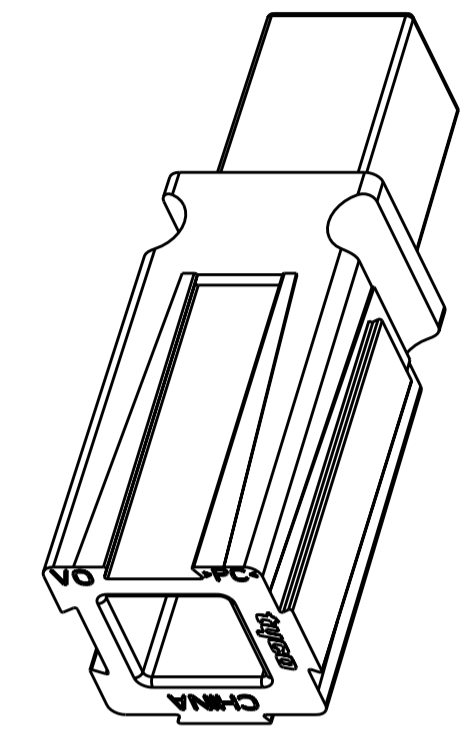
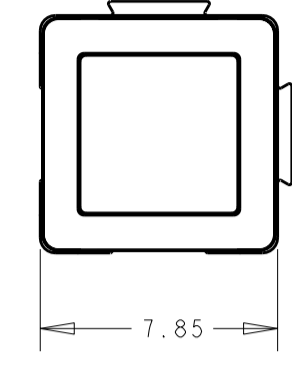
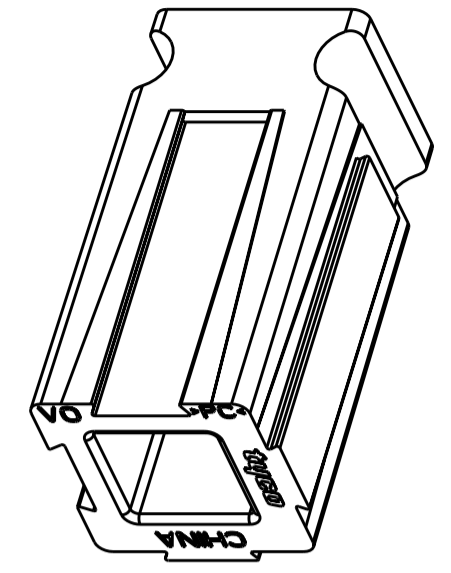
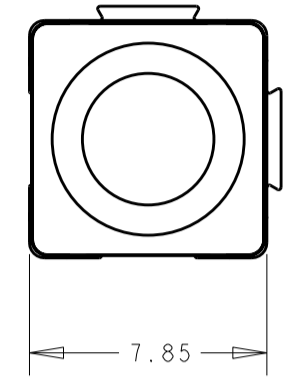
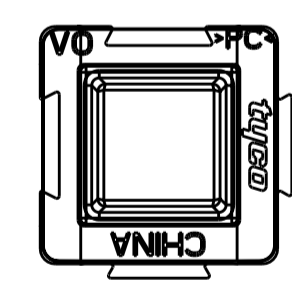


THIS DRAWING IS UNPUBLISHED. RELEASED FOR PUBLICATION 20
 © COPYRIGHT 20 BY TYCO ELECTRONICS CORPORATION. ALL RIGHTS RESERVED.

LOC	DIST	REVISIONS			
P	LTR	DESCRIPTION	DATE	DWN	APVD
-	-	7 REVISED	08OCT2007	SS	FD



X-1445959-1
SHORT SPACER



X-1445959-2
LONG SPACER

1-1573058-4	GRAY	LONG	7-1445959-2
1-1573058-4	GRAY	SHORT	7-1445959-1
2-1573058-0	ORANGE	LONG	6-1445959-2
2-1573058-0	ORANGE	SHORT	6-1445959-1
2-1573058-4	YELLOW	LONG	5-1445959-2
2-1573058-4	YELLOW	SHORT	5-1445959-1
1-1573058-6	GREEN	LONG	4-1445959-2
1-1573058-6	GREEN	SHORT	4-1445959-1
2-1573058-5	WHITE	LONG	3-1445959-2
2-1573058-5	WHITE	SHORT	3-1445959-1
1-1573058-0	BLACK	LONG	2-1445959-2
1-1573058-0	BLACK	SHORT	2-1445959-1
1-1573058-2	BLUE	LONG	1-1445959-2
1-1573058-2	BLUE	SHORT	1-1445959-1
2-1573058-2	RED	LONG	1445959-2
2-1573058-2	RED	SHORT	1445959-1
COLORANT	COLOR	SPACER STYLE	PART NUMBER

- MATERIAL: POLYCARBONATE UL94VO.
- THESE SPACERS ARE INTENDED TO PROVIDE A KEYING FEATURE TO POWER PRODUCT ARRAYS. A SHORT SPACER ON ONE HALF OF THE MATED PAIR AND LONG SPACER ON THE OTHER HALF OF THE MATED PAIR CREATE THE POLARIZED KEY.

THIS DRAWING IS A CONTROLLED DOCUMENT FOR TYCO ELECTRONICS CORPORATION. IT IS SUBJECT TO CHANGE AND THE CONTROLLING ENGINEERING ORGANIZATION SHOULD BE CONTACTED FOR THE LATEST REVISION.

DIMENSIONS:	TOLERANCES UNLESS OTHERWISE SPECIFIED:	DWN	B. HAYMAKER	12NOV01
mm	0 PLC ±0.13	CHK	K. KETELSIEGER	25JAN02
	1 PLC ±0.13	APVD	K. KETELSIEGER	25JAN02
	2 PLC ±0.13	PRODUCT SPEC		
	3 PLC ±	APPLICATION SPEC		
	4 PLC ±	WEIGHT		
MATERIAL	FINISH ±1	CUSTOMER DRAWING		

NAME: SPACER, 15/30/45A SINGLE POLE POWER PRODUCT

SIZE: A2 CAGE CODE: 00779 DRAWING NO: 1445959 RESTRICTED TO: -

SCALE: 4:1 SHEET: 1 OF 1 REV: 7